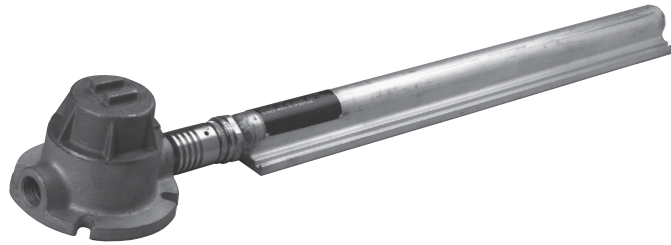




AEPS Explosion-Proof Strip Heater



- 32-3/4 - 128-3/4" Lengths
- 110 - 1,100 Watts
- 120, 208, 240, 277 and 480 Volt

Applications

For coal, ore, resins and other bulk handling equipment.

Explosion-Proof Applications — (NEC Class II, Group E, F, G and Class I, Group C and D) chemical and petrochemical plants, tanks, large pipes, control cabinets, resin material handling equipment, aggregate and other bulk raw material processors.

Features

UL Listed for use in Division I, Class I, Groups B, C, D; Class II, Groups E, F and G hazardous locations.

Integral manual reset.
Overtemperature cutout.

Freeze Protection — Particularly effective when installed at the mouth of the mine where warm moist air and coal or ore are first exposed to cold outside air, causing condensation and subsequent freezing at temperatures below 32°F. Conveyor heaters prevent such freezing, keeping the conveyors in uninterrupted operation.

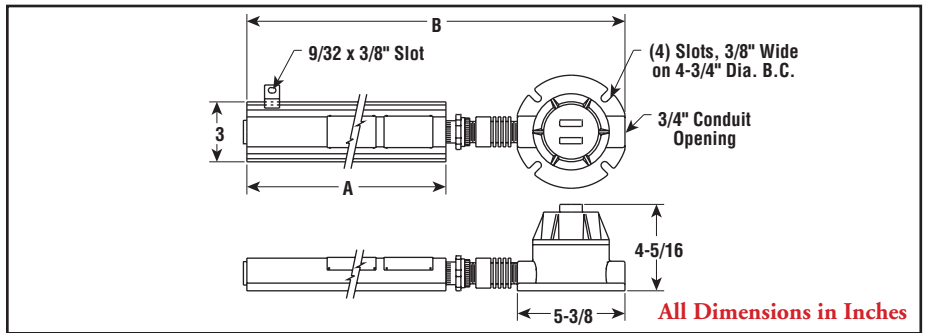
Easy System Start-Up in freezing weather.

Keeps Resins and Process Liquids Free-Flowing regardless of ambient temperature.

Long Life Operation — Heaters, inserted into solid aluminum body, resist physical damage from rough handling and/or contact with process material (Patented design).

Mounting — Channel in extrusion facilitates mounting to any surface. Clamps are supplied or bolt holes can be drilled through extrusion plate.

Dimensions



Specifications and Ordering Information for 9 Watts/In².

Dimensions (In.)		Watts	Volts	Model	Stock	PCN	Wt. (Lbs.)
A	B						
Temp. Code T3 (for Class I, Div. 1, Groups B, C, D) – 9 W/in²							
24	32-3/4	220	120	AEPS-024-220-917	NS	235213	24
24	32-3/4	220	240	AEPS-024-220-917	NS	235221	24
36	44-3/4	330	120	AEPS-036-330-917	NS	235230	27.2
36	44-3/4	330	240	AEPS-036-330-917	NS	235248	27.2
48	56-3/4	440	120	AEPS-048-440-917	NS	235256	30.6
48	56-3/4	440	240	AEPS-048-440-917	NS	235264	30.6
60	68-3/4	550	208	AEPS-060-550-917	NS	235222	34
60	68-3/4	550	240	AEPS-060-550-917	NS	235280	34
72	80-3/4	660	208	AEPS-072-660-917	NS	235299	37.4
72	80-3/4	660	240	AEPS-072-660-917	NS	235301	37.4
84	92-3/4	770	208	AEPS-084-770-917	NS	235310	40.9
84	92-3/4	770	240	AEPS-084-770-917	NS	235328	40.9
96	104-3/4	880	240	AEPS-096-880-917	NS	235336	44.3
96	104-3/4	880	480	AEPS-096-880-917	NS	235344	44.3
108	116-3/4	990	277	AEPS-108-990-917	NS	235352	47.8
108	116-3/4	990	480	AEPS-108-990-917	NS	235360	47.8
120	128-3/4	1,100	277	AEPS-120-1100-917	NS	235379	50.9
120	128-3/4	1,100	480	AEPS-120-1100-917	NS	235387	50.9

Stock Status: S = stock NS = non-stock
To Order—Specify model, PCN, watts, volts and quantity.